

## PXI-8150 SERIES RAM UPGRADE

This guide describes how to install an additional memory DIMM into the PXI-8150 Series module.

### What You Need to Get Started

---

Use a 144-pin, 60 ns EDO SO-DIMM to upgrade the memory of your PXI-8150 Series module. You do not need any additional parts or tools.

### Installation Procedure

---

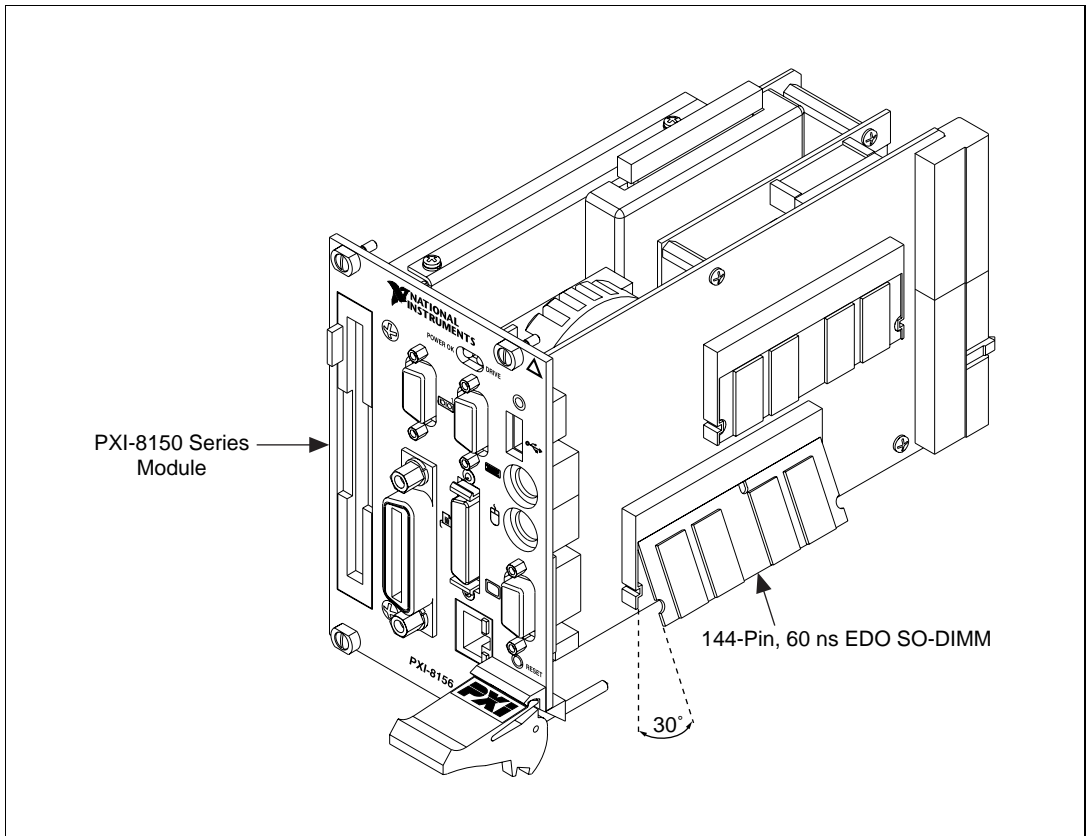


**Caution:** *To prevent electrostatic discharge, touch the antistatic plastic package to a metal part of your PXI mainframe before removing the DIMM from the package.*

Use the following procedure to install additional RAM in your PXI-8150 Series module:

1. Turn off the mainframe power.
2. Remove the PXI-8150 Series module from the mainframe. To remove the module, loosen the front panel retaining screws, push down on the injector/ejector handle, and slide the module out of the mainframe.
3. Insert the DIMM into an open DIMM socket on the module at a 30° angle, as shown in Figure 1. Push the DIMM down until it latches on both sides of the socket.
4. Reinstall the PXI-8150 Series module in the mainframe.

The RAM installation is complete.



**Figure 1.** Installing an Additional Memory DIMM into the PXI-8150 Series Module

